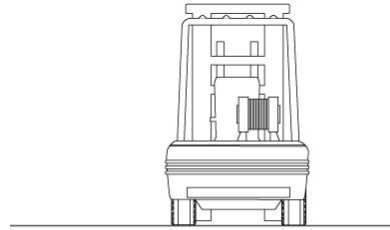
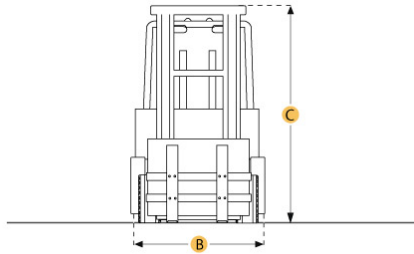
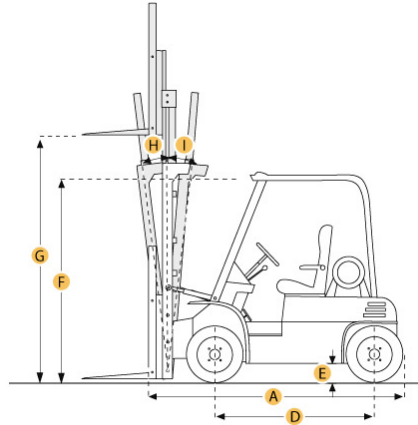


TOYOTA 8FGU25 FORKLIFT



Dimensions

A. LENGTH TO FORK FACE	8.7 ft in	2639.1 mm
B. OVERALL WIDTH	3.8 ft in	1150.6 mm
C. OVERALL HEIGHT - MAST LOWERED	ft in	mm
F. HEIGHT TO TOP OF OVERHEAD GUARD	6.9 ft in	2110 mm



Specification

Engine

MODEL	4Y-ECS	
POWER	51 hp	38 kw
TORQUE	115.1 lb ft	156 Nm
POWER MEASURED @	2570 rpm	
TORQUE MEASURED @	2100 rpm	
FUEL TYPE	Gas	

Operational

TIRE TYPE	Pneumatic	
NUMBER OF FRONT WHEELS	2	
NUMBER OF REAR WHEELS	2	
MAX SPEED	10.9 mph	17.5 km/h

MAST

LOAD CAPACITY	5000 lb	2268 kg
LIFT SPEED	118 ft/min	m/min

Dimensions

LENGTH TO FORK FACE	8.7 ft in	2639.1 mm
OVERALL WIDTH	3.8 ft in	1150.6 mm
OVERALL HEIGHT - MAST LOWERED	ft in	mm
TURNING RADIUS	7.3 ft in	2222.5 mm
HEIGHT TO TOP OF OVERHEAD GUARD	6.9 ft in	2110 mm
RIGHT ANGLE STACK	8.8 ft in	2689.9 mm